

## Screwing method



Square pin 95x7mm (1pc)  
for thickness doors  
(38mm to 40mm)



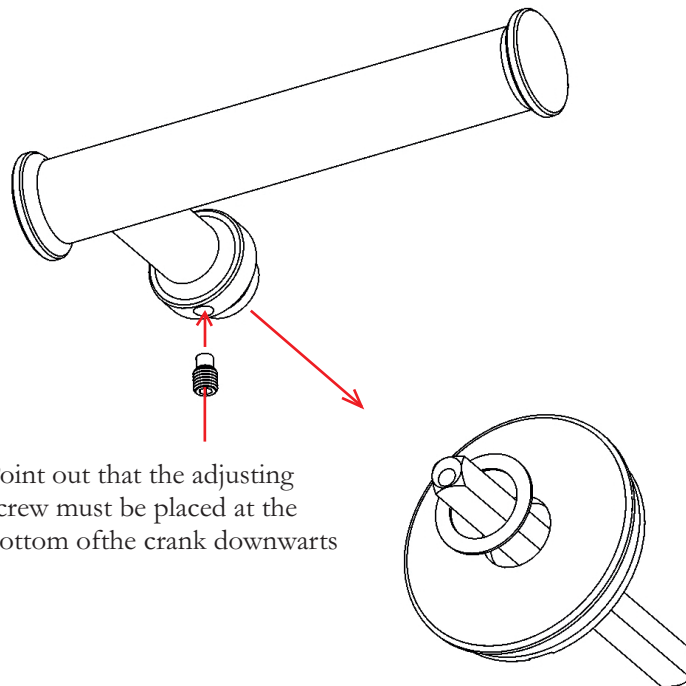
Washers (2 pieces)  
transparent or black.



Allen screw (2 pieces)  
with cylindrical top



Key for allen screw



Point out that the adjusting  
screw must be placed at the  
bottom of the crank downwards

1. Turn the adjusting screw (Allen) of the door handle correctly on the square handle pin.

2. It will be necessary to turn several times for the screw to pierce the square pin (through the thinnest part), in order to firmly secure the door handle in the square pin.

3. When tightened, the screw may not be visible.