

Screwing method



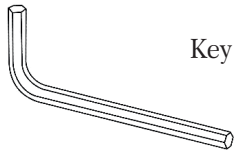
Square pin 95x7mm (1pc)
for thickness doors
(38mm to 40mm)



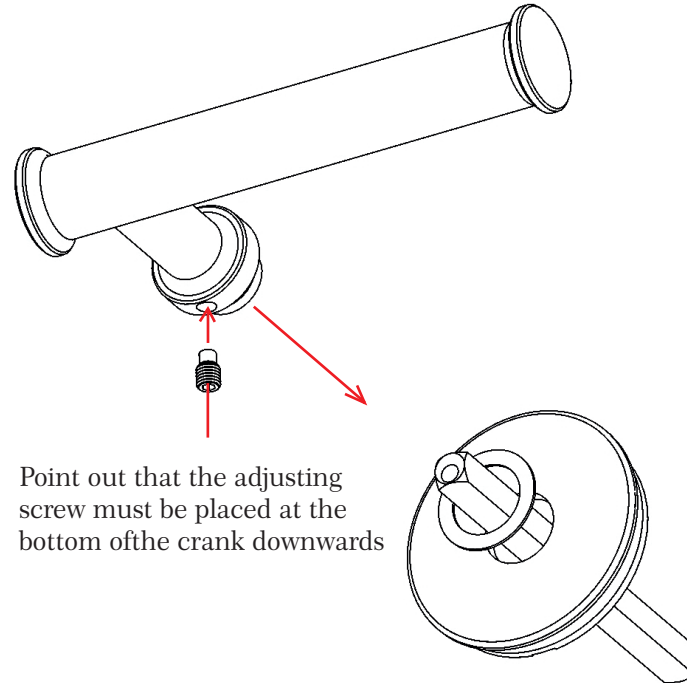
Washers (2 pieces)
transparent or black.



Allen screw (2 pieces)
with cylindrical top



Key for allen screw



Point out that the adjusting
screw must be placed at the
bottom of the crank downwards

1. Turn the adjusting screw (Allen) of the door handle correctly on the square handle pin.

2. Several turns will be necessary for the set screw to pierce the square handle pin to pierce (in the thinnest part) causing it to firmly engage the door handle in the square (see attached diagram).

3. Once tightened, the screw must not protrude from the body of the door handle.